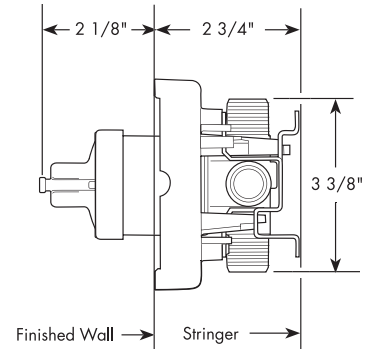
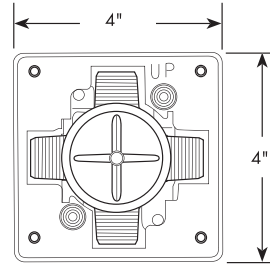
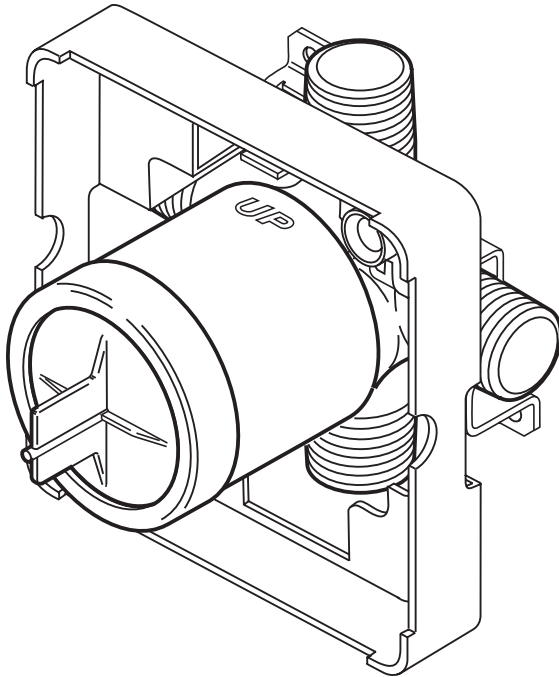


Rough, Pressure Balance Valve

06348000



Product Specification

Brass valve body

Anti-scald - maintains desired temperature + / - 3°F

1/2" IPS or 1/2" CWT inlets and outlets

Includes plaster shield and test plug

Cartridge included with trim kit

Cartridge is reversible for back-to-back installations

Flow rate 4.25 gpm @ 45 psi

Can be used with diverter tub spout for tub/shower installation

Incorporates rotational limit stop, which may be reset to comply with local plumbing codes

Requires trim kit